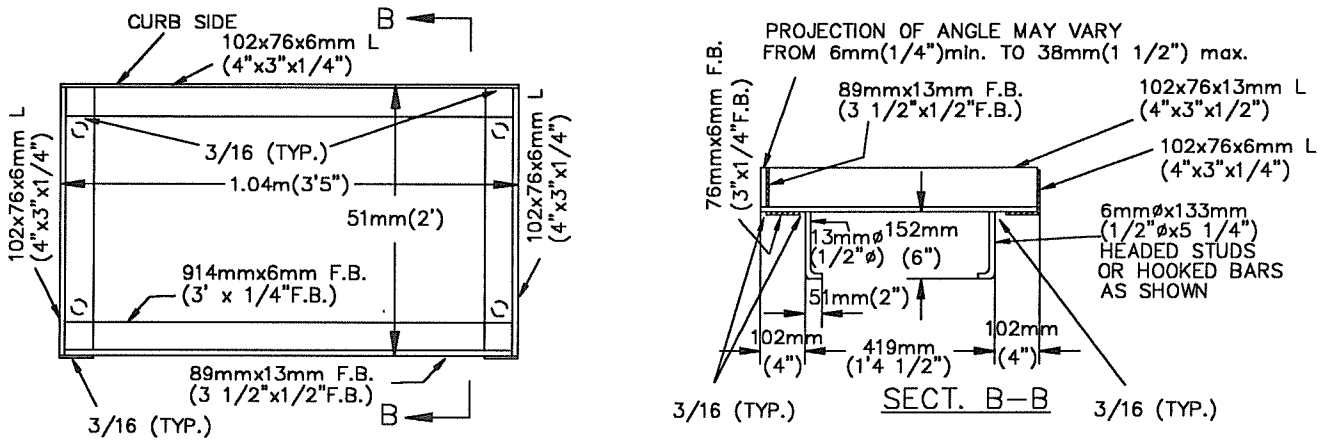
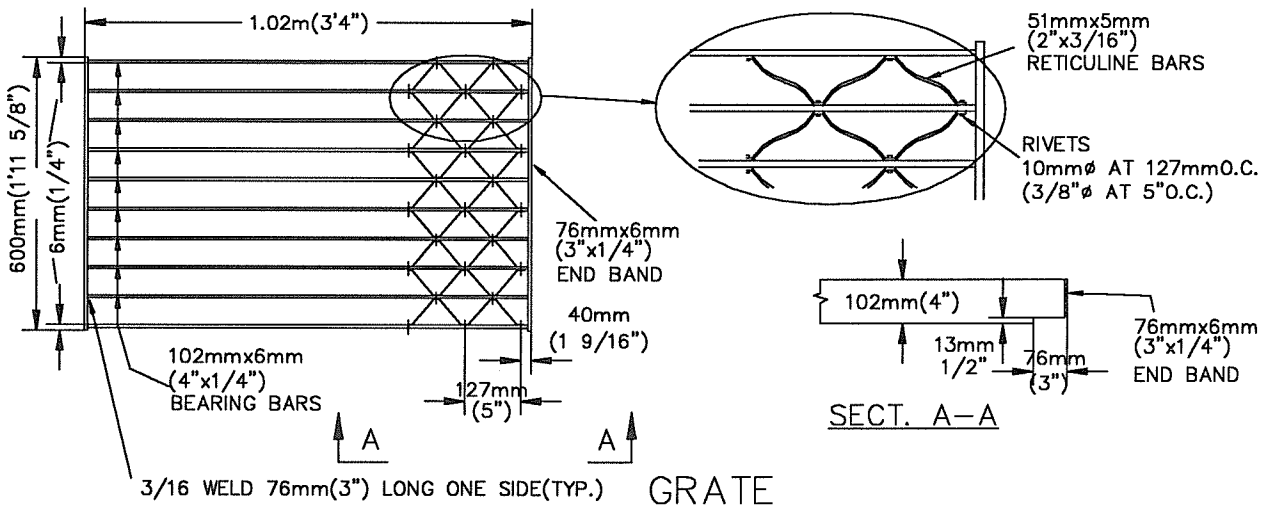


CURB PIECE



GRATE FRAME



GRATE

NOTE: REDRAWN FROM ORIGINAL DETAILS.

NOTES:

1. ALL STEEL SHALL BE HOT-GALVANIZED AFTER FABRICATION IN CONFORMANCE WITH ASTM A-123 & STATE STANDARD SPECIFICATION 71-1.05 GALVANIZING
2. WELDING SHALL CONFORM TO AWS CODE, LATEST EDITION
3. F.B. = FLAT BAR

All units are in metric
Non-metric units are in brackets

ACAD FILENAME: CBF.RAME

CITY OF MENLO PARK STANDARD DETAILS



NO.	REVISIONS	DATE

**CATCH BASIN
FRAME GRATE AND NOSING**

APPROVED

Yusuf A. Osman
Director of Engineering Services R.C.E. No. 40998

DRAWN	CHECKED	DATE	SCALE	SHEET
		1-1-97	NTS	1 OF 1

STD. DETAIL No.: **DR-10**