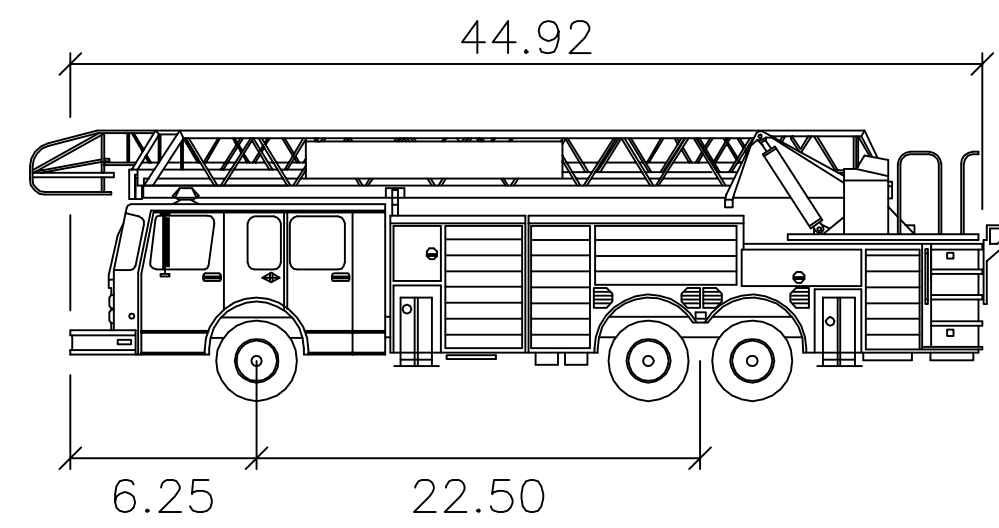
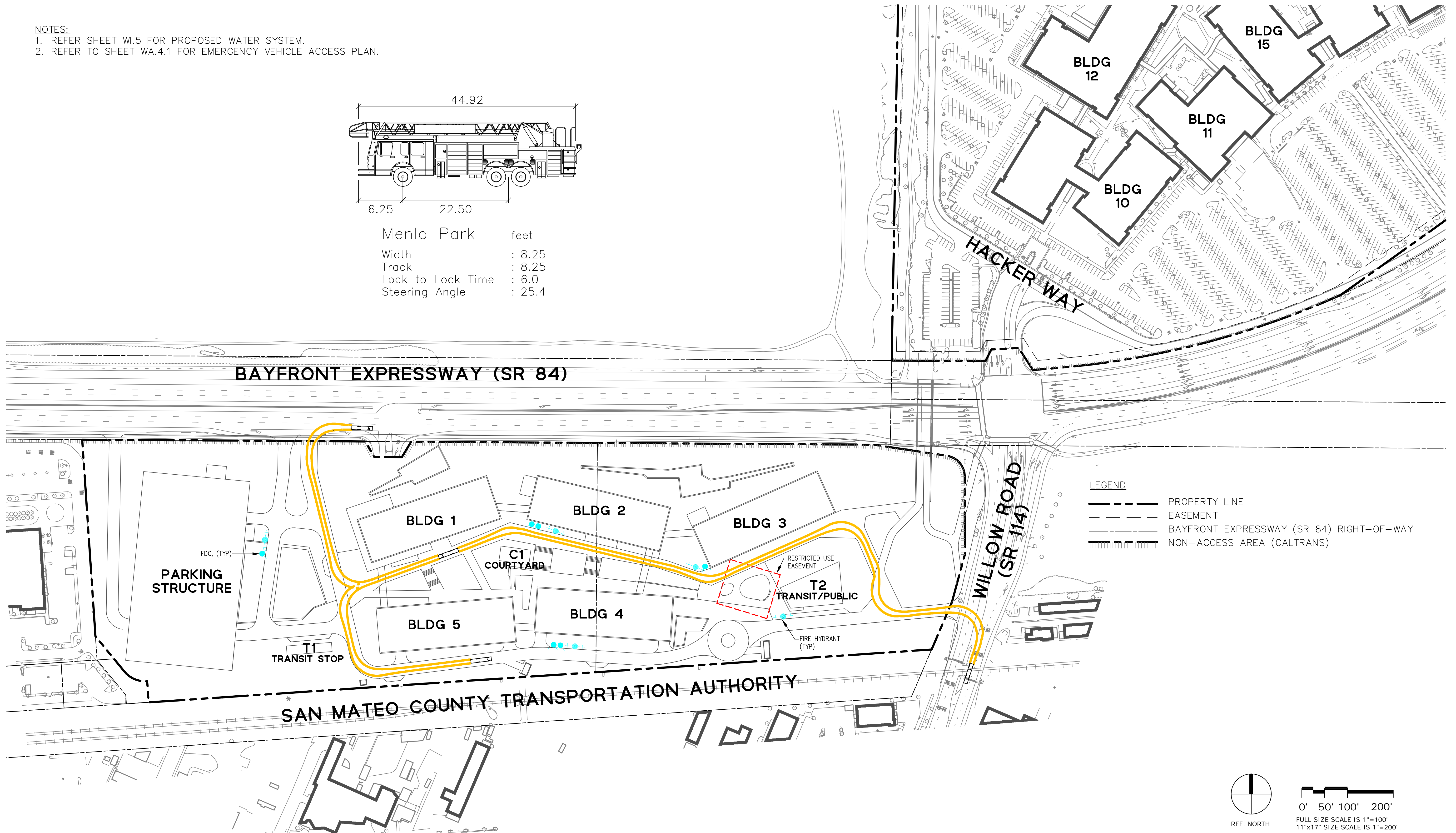


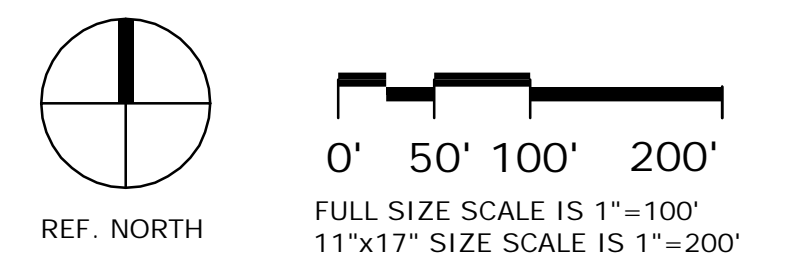
NOTES:  
 1. REFER SHEET W1.5 FOR PROPOSED WATER SYSTEM.  
 2. REFER TO SHEET WA.4.1 FOR EMERGENCY VEHICLE ACCESS PLAN.



Menlo Park feet  
 Width : 8.25  
 Track : 8.25  
 Lock to Lock Time : 6.0  
 Steering Angle : 25.4



LEGEND  
 - - - - - PROPERTY LINE  
 - - - - - EASEMENT  
 - - - - - BAYFRONT EXPRESSWAY (SR 84) RIGHT-OF-WAY  
 ||||| NON-ACCESS AREA (CALTRANS)



FACEBOOK @ MENLO PARK  
 WEST CAMPUS

312 & 313 CONSTITUTION DR., MENLO PARK, CA



WA.4.1.1 EMERGENCY VEHICLE TURNING PLAN

August 5, 2011